

C-Series

C 95 - 240 x 16



Nexans ref.: C95 - 240 x 16

Mechanical Cable Lugs up to 52 kV, centric with shear-off-head bolts and transverse grooving

DESCRIPTION

Application

Using mechanical cable lugs allows a larger, multirange conductor cross-section even for terminations. The mechanical cable lugs are generally tinplated and are offered with different palmholes, just like compression cable lugs.

Design

Material

Connector body: high strength aluminum alloy

Bolts: brass, tin-plated, with inner and outer hexagon or aluminum alloy

Surface

Connector Body: tin-plated

Centering

Center rings or inserts are enclosed for centric conductor positioning

Specifications and standards

The mechanical connectors have been tested according to IEC 61238-1 or VDE 0220 part 100 respectively.

This product is also part of our Windlink® offer dedicated to wind turbines.



STANDARDS

International IEC 61238-1

CHARACTERISTICS

Dimensional characteristics

Number of bolts	2
Length	95 mm
Inner diameter	20 mm
Width	0 mm
Outer Diameter	33 mm
Depth	56 mm
Palm hole	17 mm

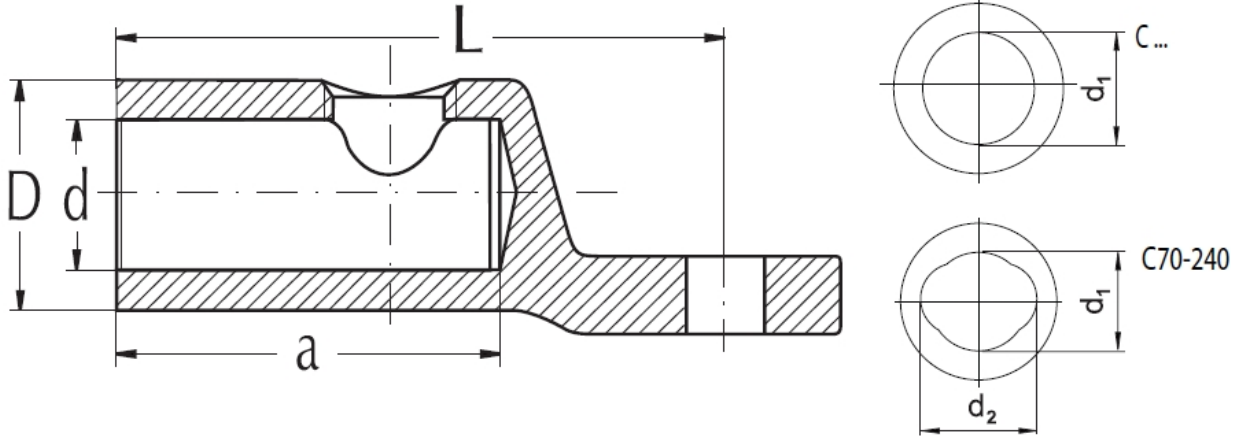
Usage characteristics

Installation type	Indoor/Outdoor
Field of application	Energy cable connecting

C SERIES

Cat. No.	Aluminium in mm ²			Copper in mm ²	
	Round stranded	Round solid	Sector stranded	Round stranded	Sector stranded
C 16 - 95 x 10	16-95	16-50/95	25-70	16-95	25-70
C 16 - 95 x 12	16-95	16-50/95	25-70	16-95	25-70
C 16 - 95 x 16	16-95	16-50/95	25-70	16-95	25-70
C 50 - 150 x 12	50-150	50-150	50-120	35-120	50-120
C 50 - 150 x 16	50-150	50-150	50-120	35-120	50-120
C 70 - 240 x 12	70-240	70-240	70-240	70-240	70-240
C 70 - 240 x 16	70-240	70-240	70-240	70-240	70-240
C 95 - 240 x 12	95-240	95-240	95-185	95-240	95-185
C 95 - 240 x 16	95-240	95-240	95-185	95-240	95-185
C 120 - 300 x 12	120-300	120-300	120-240	120-300	120-240
C 120 - 300 x 16	120-300	120-300	120-240	120-300	120-240
C 185 - 400 x 12	185-400	185-240/400	185-300	185-400	185-300
C 185 - 400 x 16	185-400	185-240/400	185-300	185-400	185-300
C 400 - 630 x 12	400-630	400-630	400-500	400-630	400-500
C 400 - 630 x 16	400-630	400-630	400-500	400-630	400-500
C 400 - 630 x 20	400-630	400-630	400-500	400-630	400-500
C 630 - 1000 x 20	630-1000	630-1000		630-800	

C-SERIES - DEFINITION OF DIMENSIONS



TECHNICAL INSTRUCTIONS AND APPLICATION INFORMATION (MECHANICAL CONNECTORS AND CABLE LUGS)

The data given were determined diligently, but do not release our customers of the duty to carry out tests themselves in order to check the suitability of the products delivered by us for the intended use. We reserve the right to modify characteristic and performance data according to the present state of technology. Processing and use of the products cannot be controlled by us and are therefore exclusively in your field of responsibility.

Our products meet the VDE standards respectively correspond to DIN pages and IEC recommendations.

Attention: Before first design in please contact manufacturer.

The products, described in this catalogue, are designed for connection of energy cable conductors (Class 1 & 2) with description of round solid (RE), round stranded (RM), as well as sector solid (SE), sector stranded (SM) and round stranded compacted (RMV) for conductor temperatures up to 90 °C. All conductor filling materials like tapes/yarn/powder or similar need to be completely removed before mounting.

For the use of flexible copper conductors (Class 5) with the M/C series, the additional bolt set WS ... CU-FLEX has to be used. By using the D series, cross sections given in the selection table can be clamped with or without contact sleeve. A check on basis of the actual existing conductor dimensions by the user is indispensable. This applies also for the application of Class 6 conductors or other special conductors.

Impact wrenches have to be approved by Nexans! Depending on different conductor material or conductor type, indicated values may differ from test values acc. to IEC 61238-1. The use of fine stranded conductors has to be approved by Nexans Power Accessories Germany GmbH.

Our responsibilities are only those listed in the latest edition of "General Terms and Conditions for the Supply of Products and Services of the Electrical and Electronics Industry". If requested we provide a copy.

Our products are mainly delivered in cartons. We only use package materials able to be recycled due to the latest packing system. Collapsible cardboard boxes are not taken back. Please try to order complete standard packages.

Reprinting, even partial, only with special allowance. We reserve the right to alter or modify the characteristics described. Illustrations and drawings may only show a close reflection and are not decisive. The weights are approximate and include the carton package. This catalogue substitutes all former editions. Types or versions not part of the catalogue you receive on request.